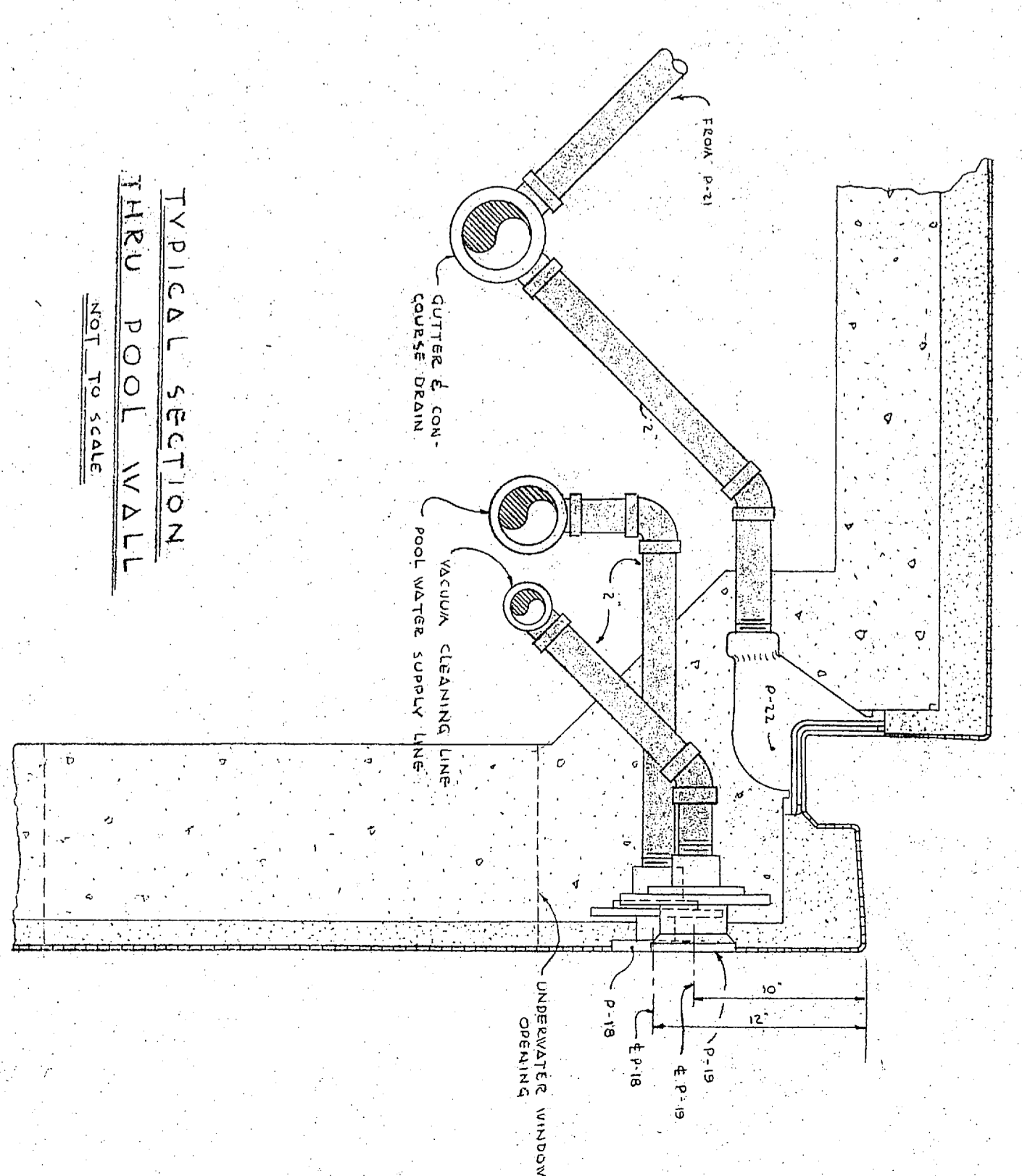


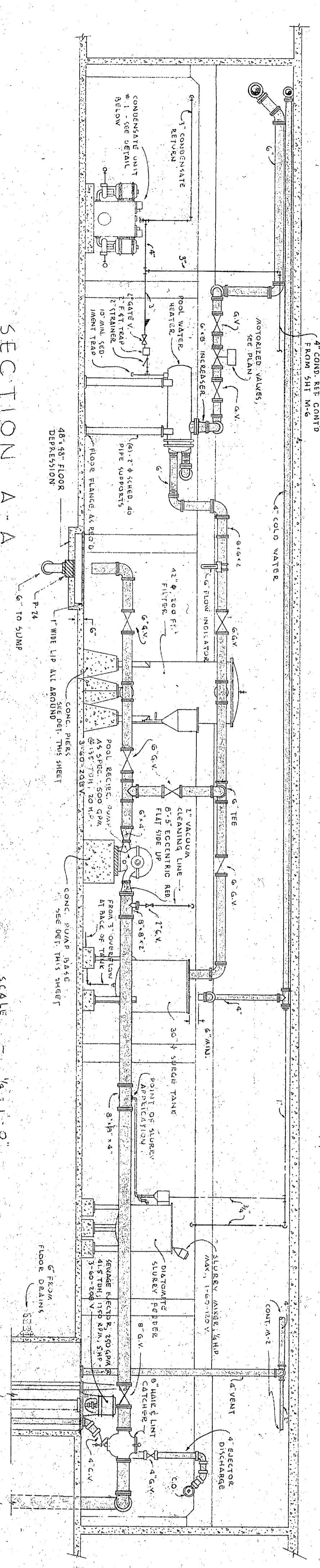
FILTER ROOM PLAN

SCALE - 1/4" = 1'-0"



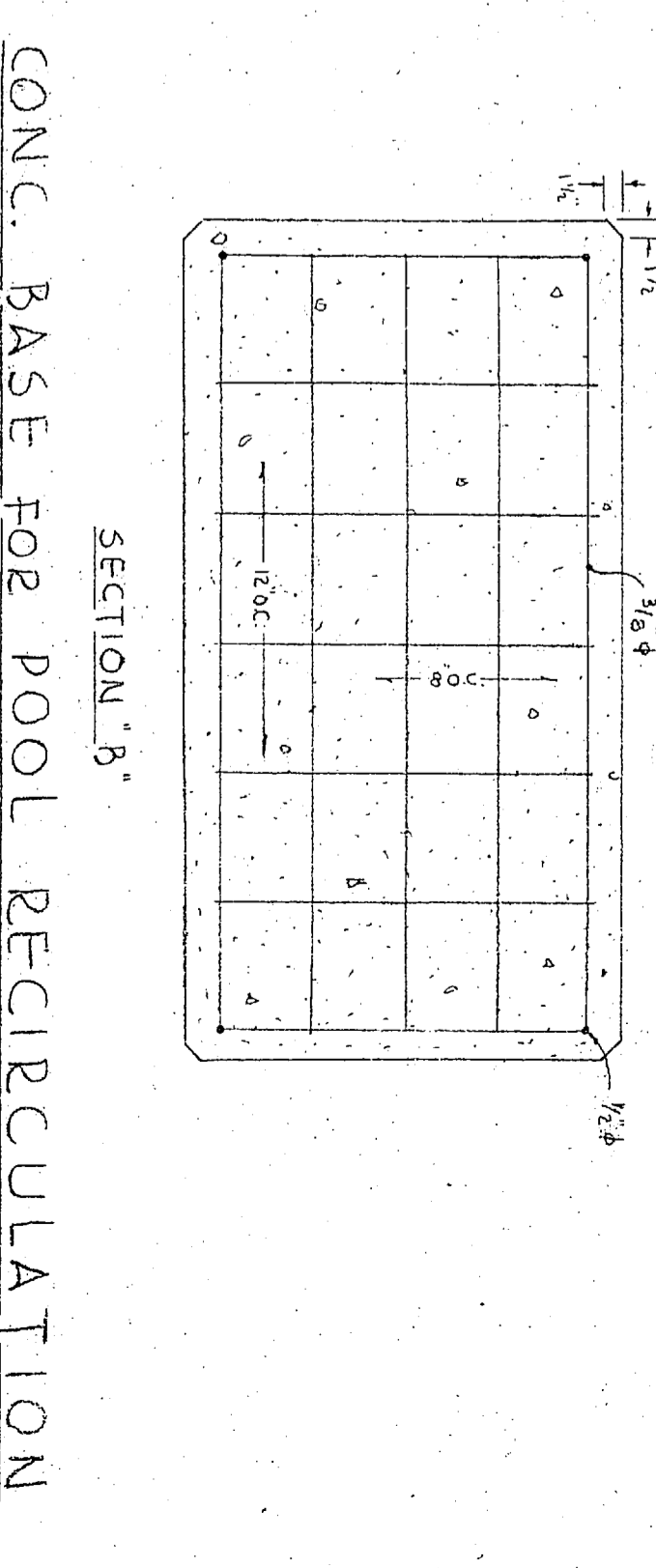
TYPICAL SECTION THRU POOL WALL

NOT TO SCALE



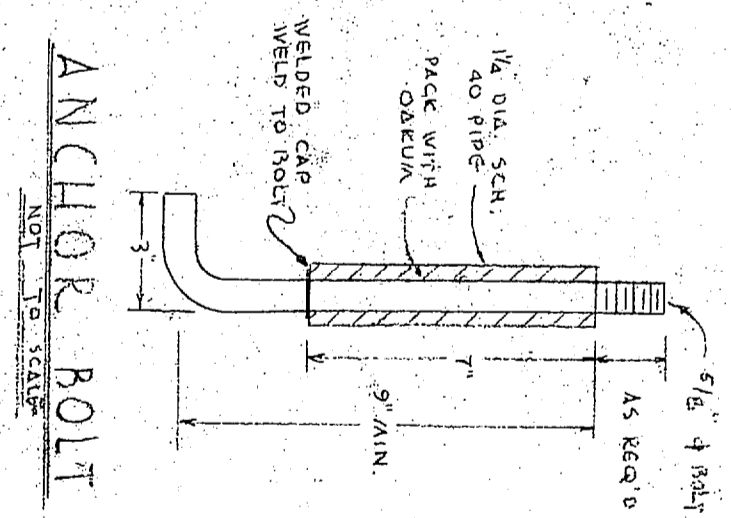
SECTION A-A

SCALE - 1/4" = 1'-0"

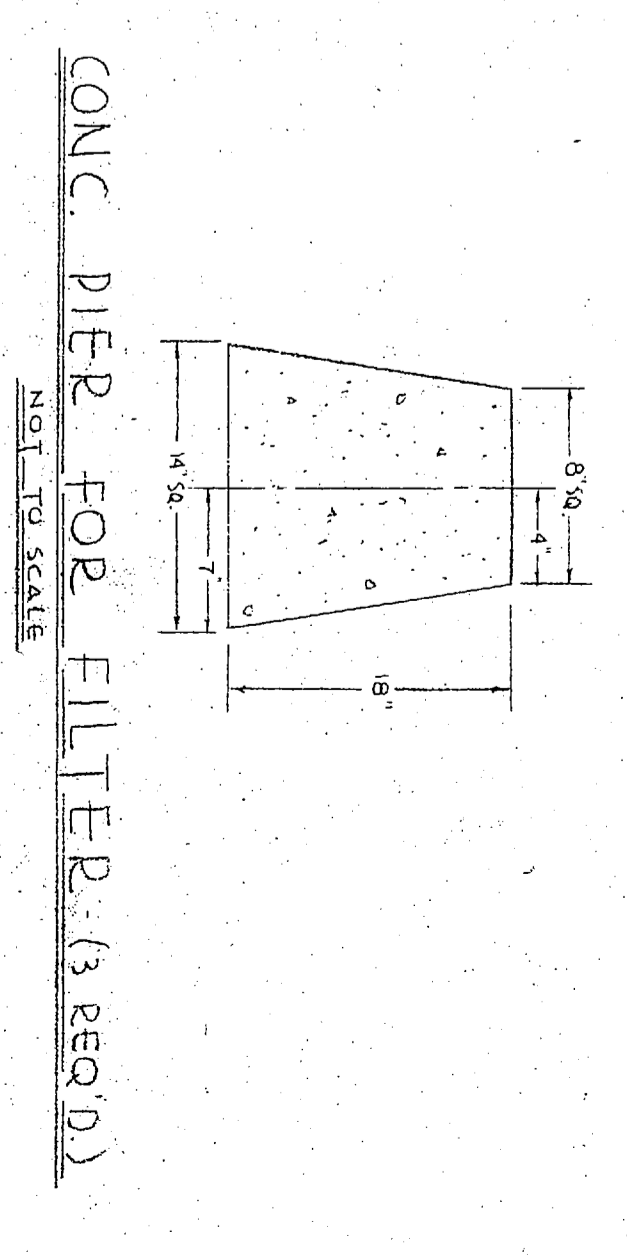


CONC. BASE FOR POOL RECIRCULATION PUMP

NOT TO SCALE

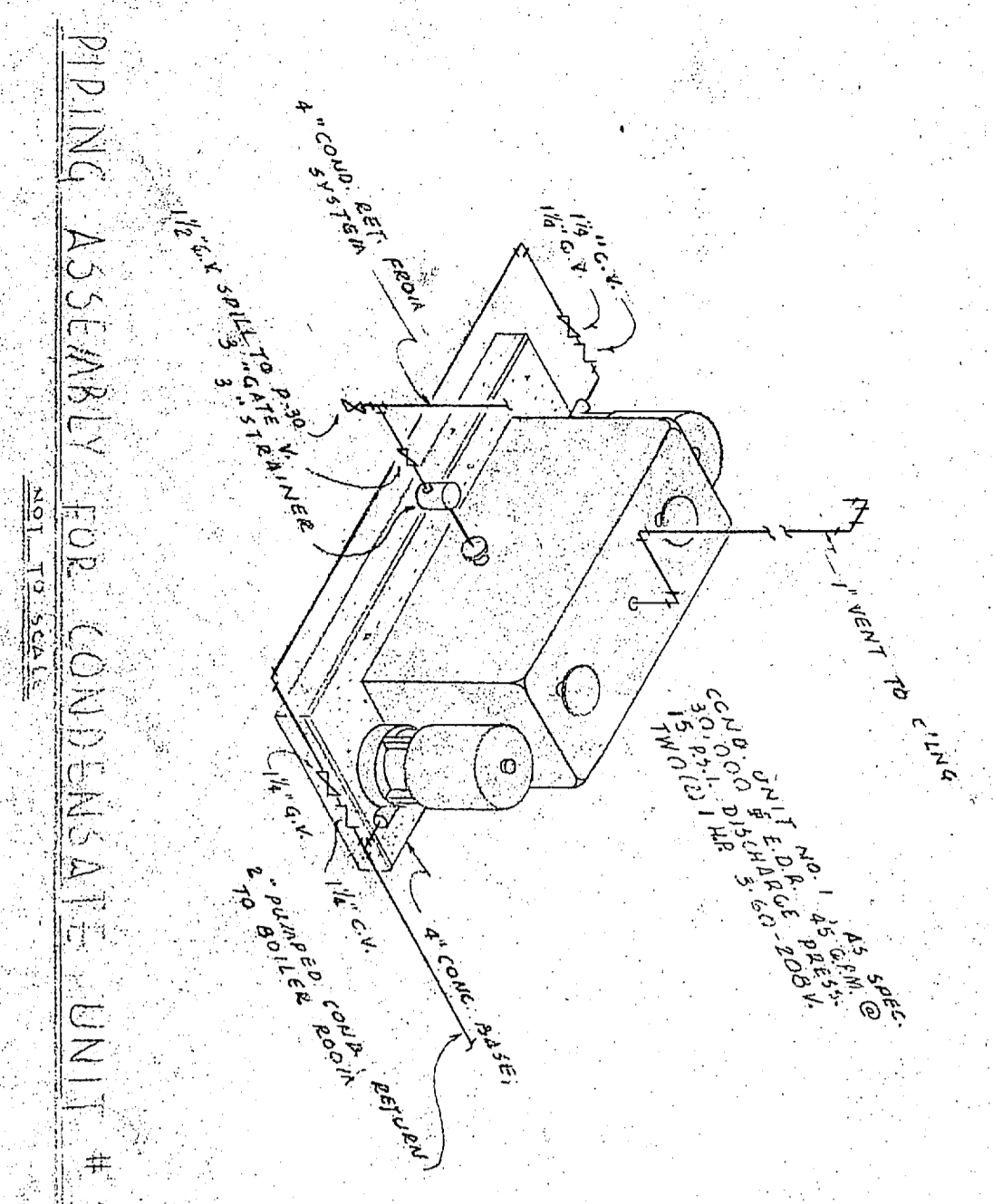


ANCHOR BOLT



CONC. DIER FOR FILTER (3 REQ'D)

NOT TO SCALE



PUMP ASSEMBLY FOR CONDENSATE UNIT #1

STATE OF MONTANA
LICENSED ARCHITECTS
CUSHING, TERRELL AND ASSOCIATED ARCHITECTS
PHYSICAL EDUCATION BUILDING
EASTERN MONTANA COLLEGE OF EDUCATION
MONTANA

R. L. PRUSSING - MECHANICAL ENGINEER - BILLINGS, MONTANA

drawn by: R. L. Prussing
checked by: R. L. Prussing
date: 11/1/24