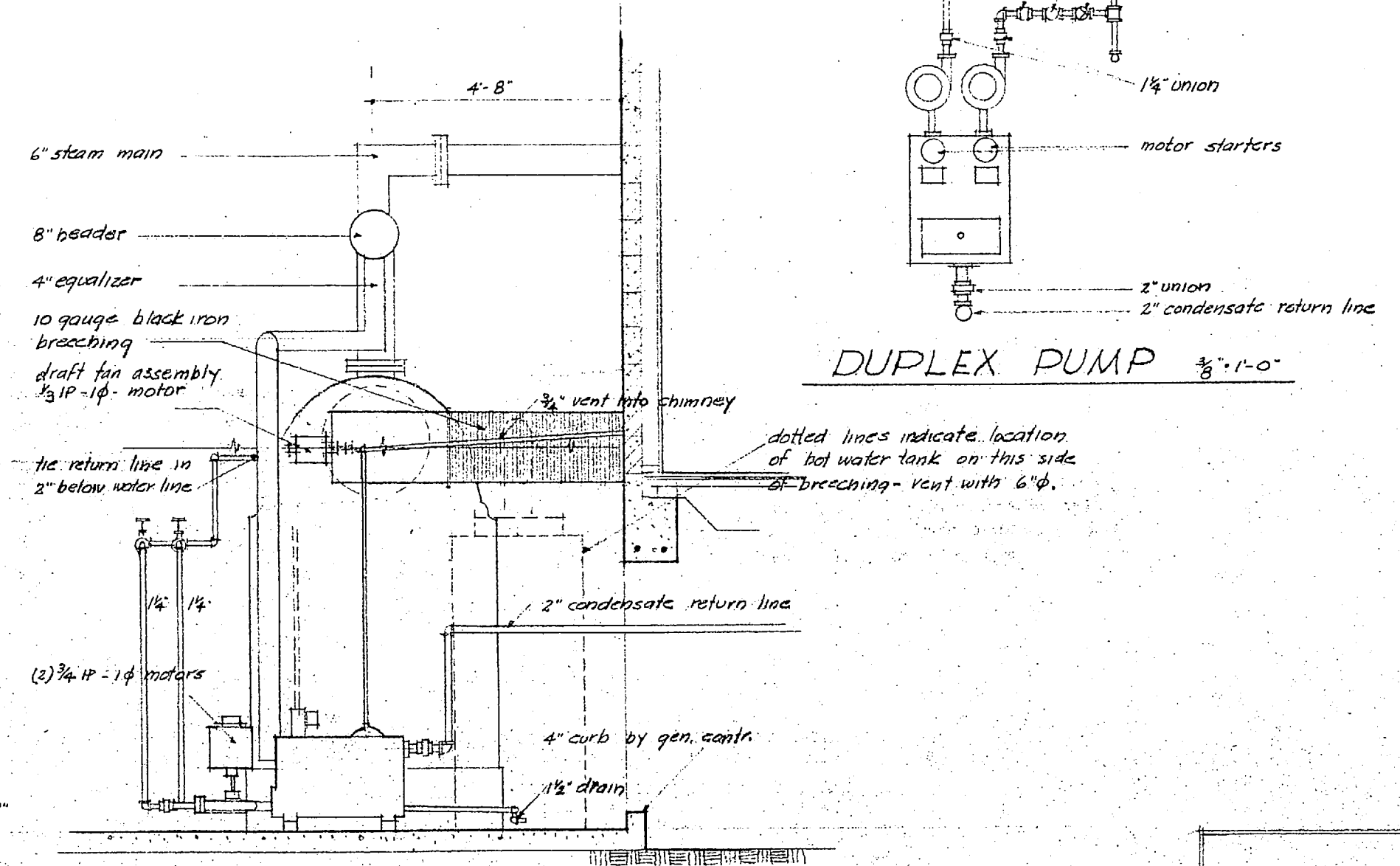
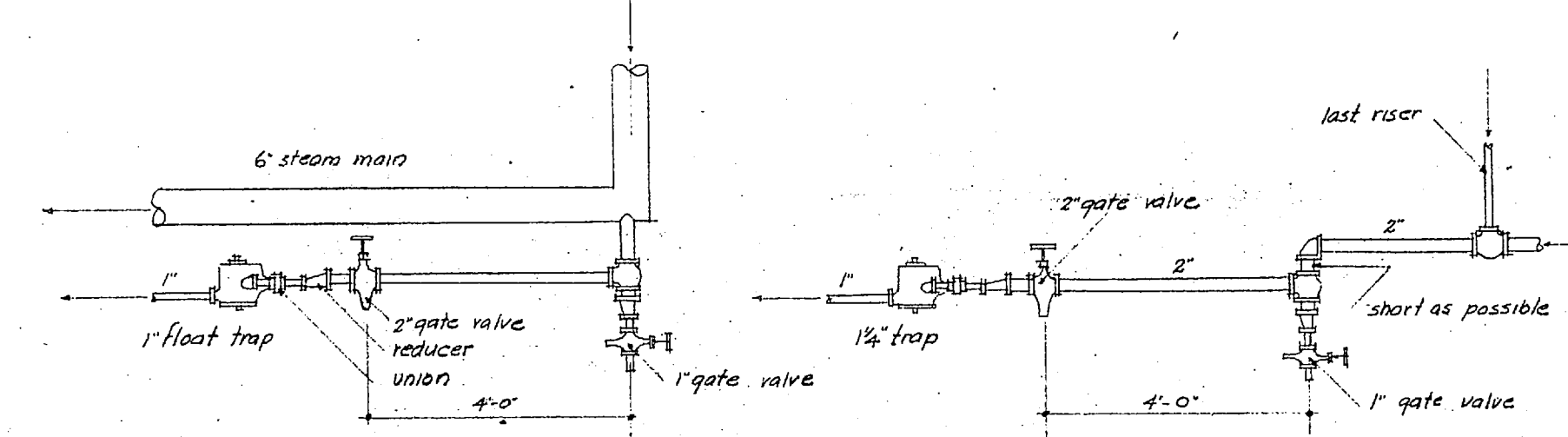


BOILER & PUMP DETAILS 3/8" = 1'-0"

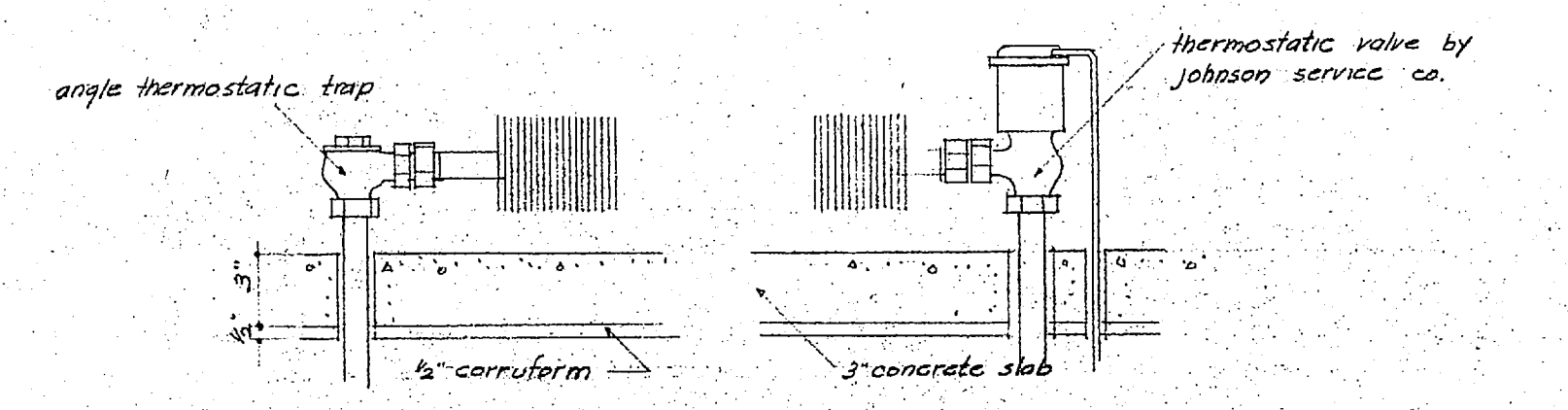


DUPLEX PUMP 3/8" = 1'-0"

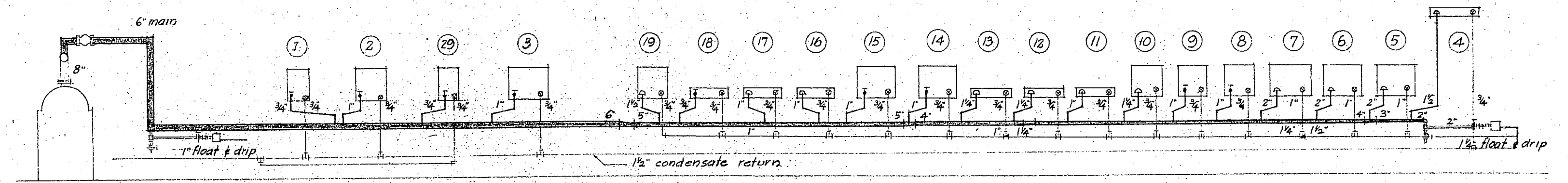


DROP IN MAIN 3/8" = 1'-0"

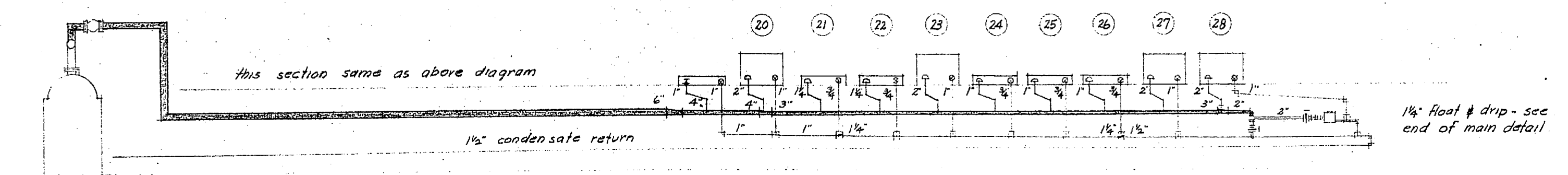
END OF MAIN 3/8" = 1'-0"



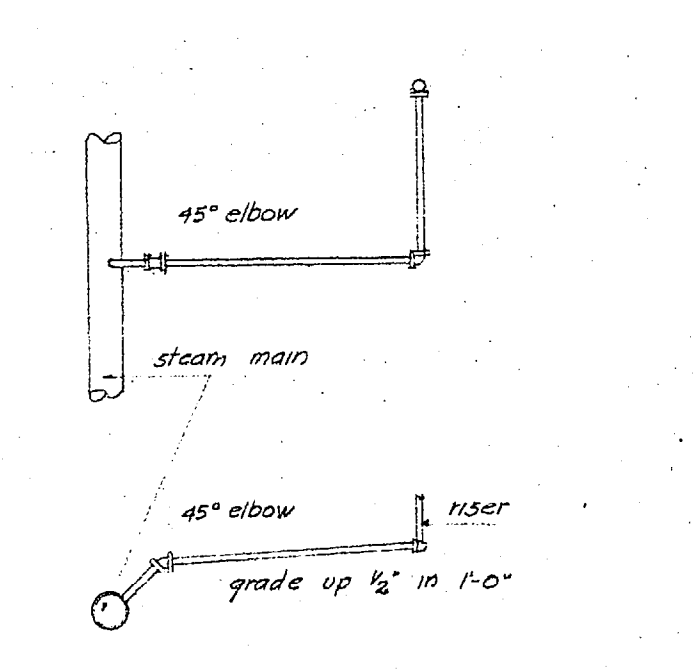
BASEBOARD RADIATOR CONNECTIONS 1/2" = 1'-0"



PIPE DIAGRAM OF EAST WING not to scale

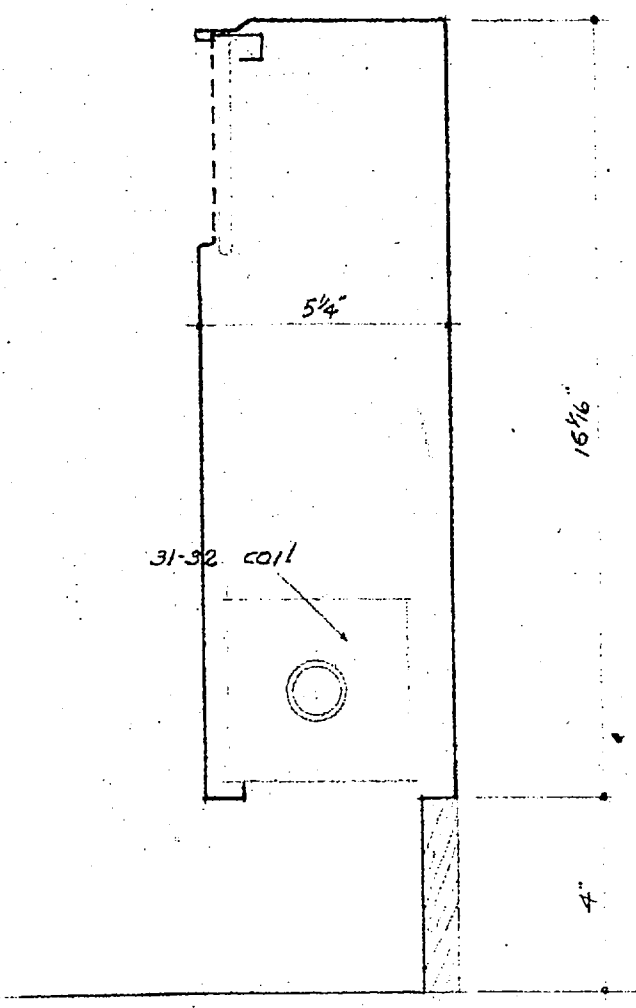


PIPE DIAGRAM OF WEST WING not to scale

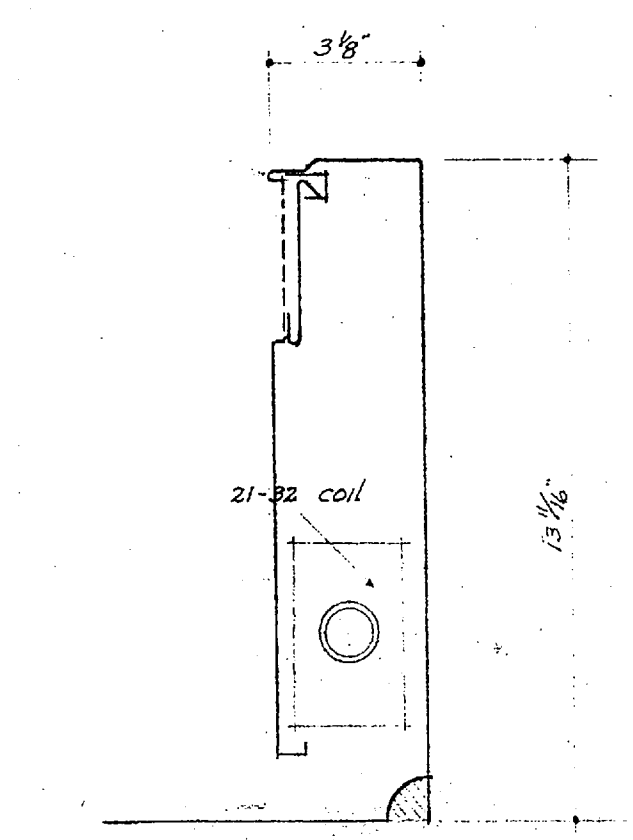


SPRING PIECES 3/8" = 1'-0"

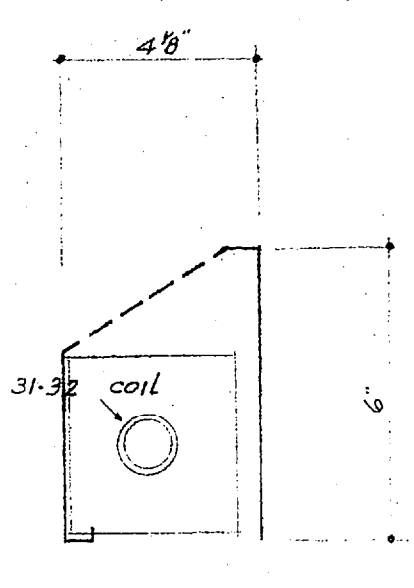
steam mains shall be graded down in the direction of flow 1/2" in 10'-0". return mains 1" in 10'-0"



MODEL CSF-2



MODEL UNIVERSAL-2 HIGH



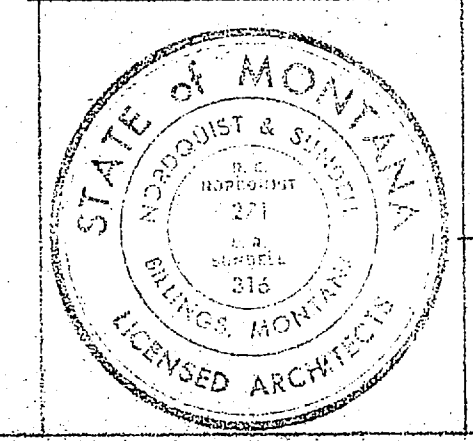
MODEL SS3-1

KRITZER BASEBOARD 3/8" = 1'-0"

HEATING SCHEDULE													
ROOM	NO.	CONVECTORS	U.V.	KRITZER BASEBOARD RADIATION						EDR	REMARKS		
		6" wide x 32" high 8" wide x 32" high 10" wide x 32" high length in inches	MM 9330 L. 100-3 MM 8820 L. 100-3 MM 8820 L. 120-3	Type SS cover universal cover (2 high)	Type cof. (2 high) damper wall to wall one end two ends inside corner 31-32 coil 21-22 coil						length of coil (feet)	hand valve thermostatic valve traps	
toilet	1										19.0	1/2"	1/2"
entry	2										32.5	3/4"	3/4"
kitchen	3										62.0	3/4"	3/4"
bookstore	4									26.0			
"	5										419.0	1/2"	1/2"
gameroom	6										252.0	1/2"	1/2"
"	7										252.0	1/2"	1/2"
storage no. 1	8										51.5	3/4"	3/4"
storage no. 2	9										51.5	3/4"	3/4"
corridor	10										164.0	1/2"	3/4"
student publications	11									14.0	57.4	3/4"	3/4"
"	12										82.0	3/4"	3/4"
barber shop	13									15.0	84.0	3/4"	3/4"
boys	14										41.5	3/4"	3/4"
girls	15										41.5	3/4"	3/4"
student officers	16									8.0	50.4	3/4"	3/4"
director of stu. act.	17										64.4	3/4"	3/4"
vault	18										11.2	1/2"	3/4"
lobby	19										164.0	1/2"	3/4"
lounge	20										419.0	1/2"	1/2"
"	21										22.0	3/4"	3/4"
"	22										22.0	3/4"	3/4"
"	23										419.0	1/2"	1/2"
"	24									5.0	20.5	3/4"	3/4"
dining	25									12.5	50.2	3/4"	3/4"
"	26										22.5	3/4"	3/4"
"	27										419.0	1/2"	1/2"
"	28										419.0	1/2"	1/2"
storage no. 3	29										19.0	1/2"	3/4"
lobby	30										24.6	3/4"	3/4"
										total heat loss	4004.7	# EDR	

use only HERMAN NELSON unit ventilators and deluxe unit heaters - and only JOHNSON SERVICE temperature control. provide access doors in all baseboard radiator covers at traps and valves.

HEATING SCHEDULE & DETAILS scale as shown



A STUDENT UNION BUILDING  
EASTERN MONTANA COLLEGE OF EDUCATION  
BILLINGS, MONTANA

NORDQUIST & SUNDELL  
ARCHITECTS  
BILLINGS, MONTANA

drawn LRS  
checked BEN  
date APR 5 1934  
job no. 1753

M  
3