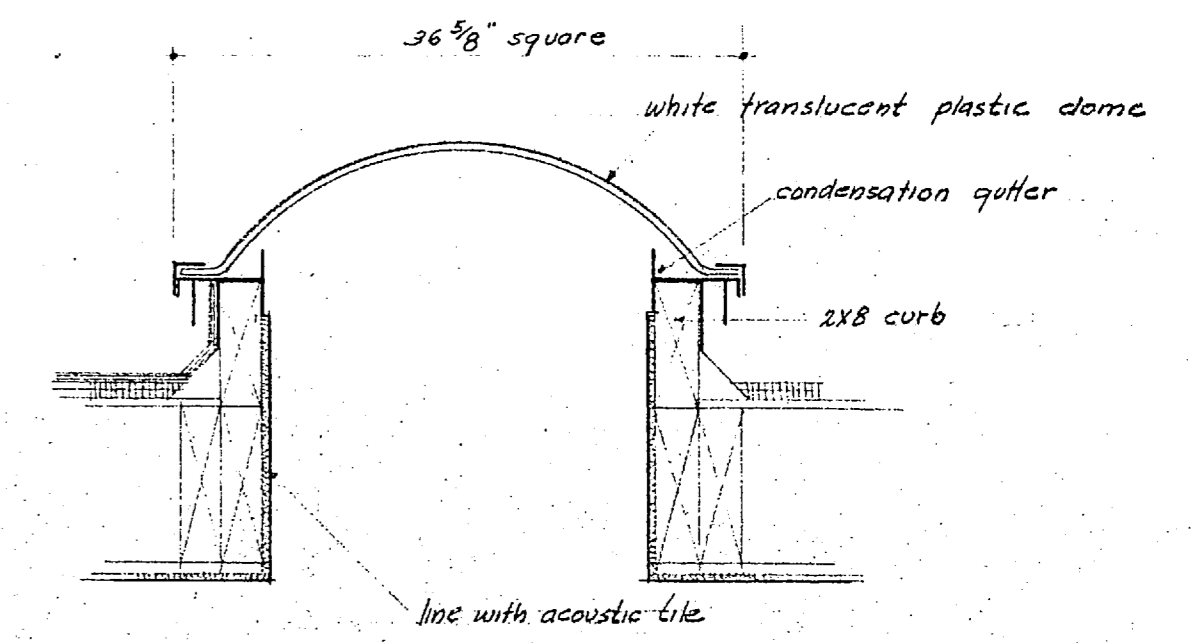
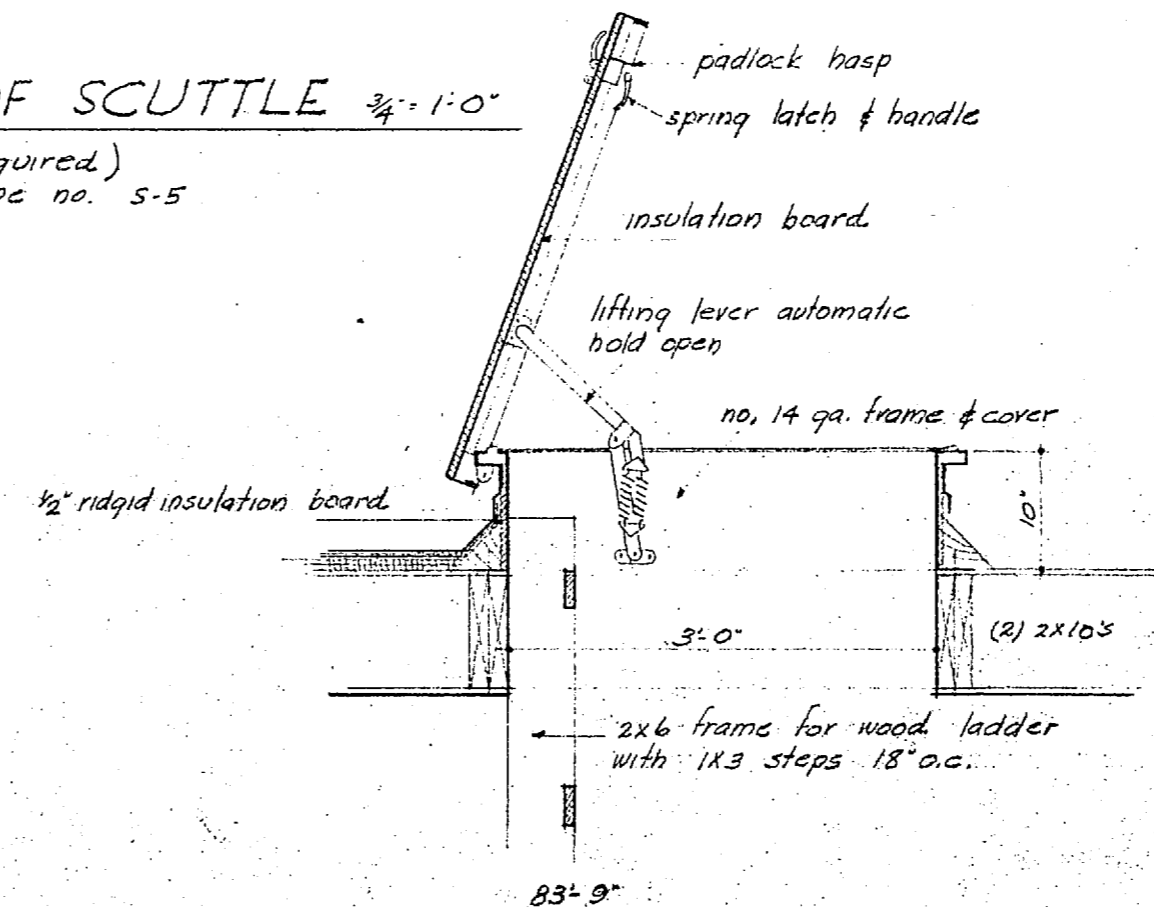
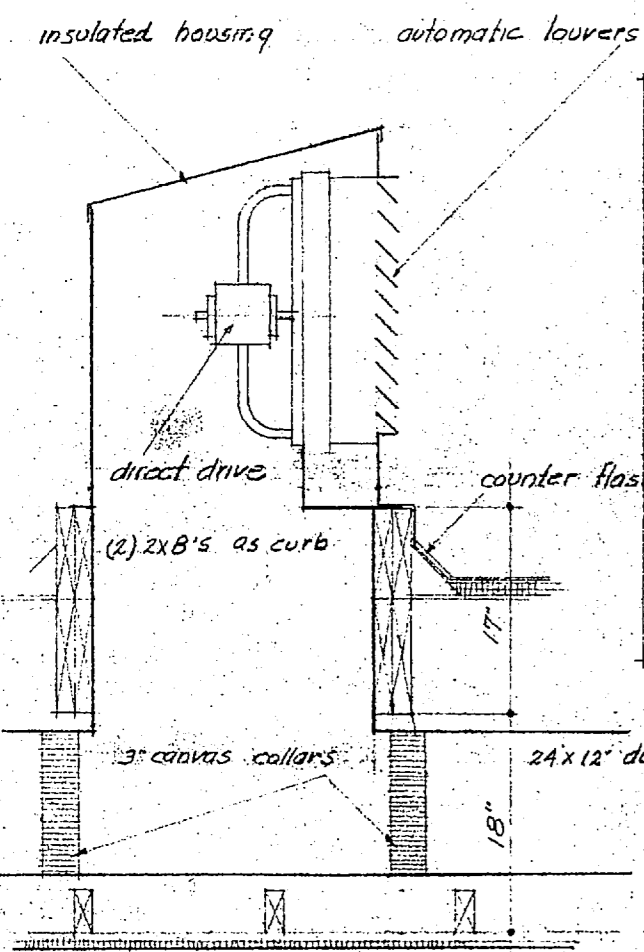


"TRADE WIND" EXHAUST FAN
clipper model 2501 (3 required)
not to scale

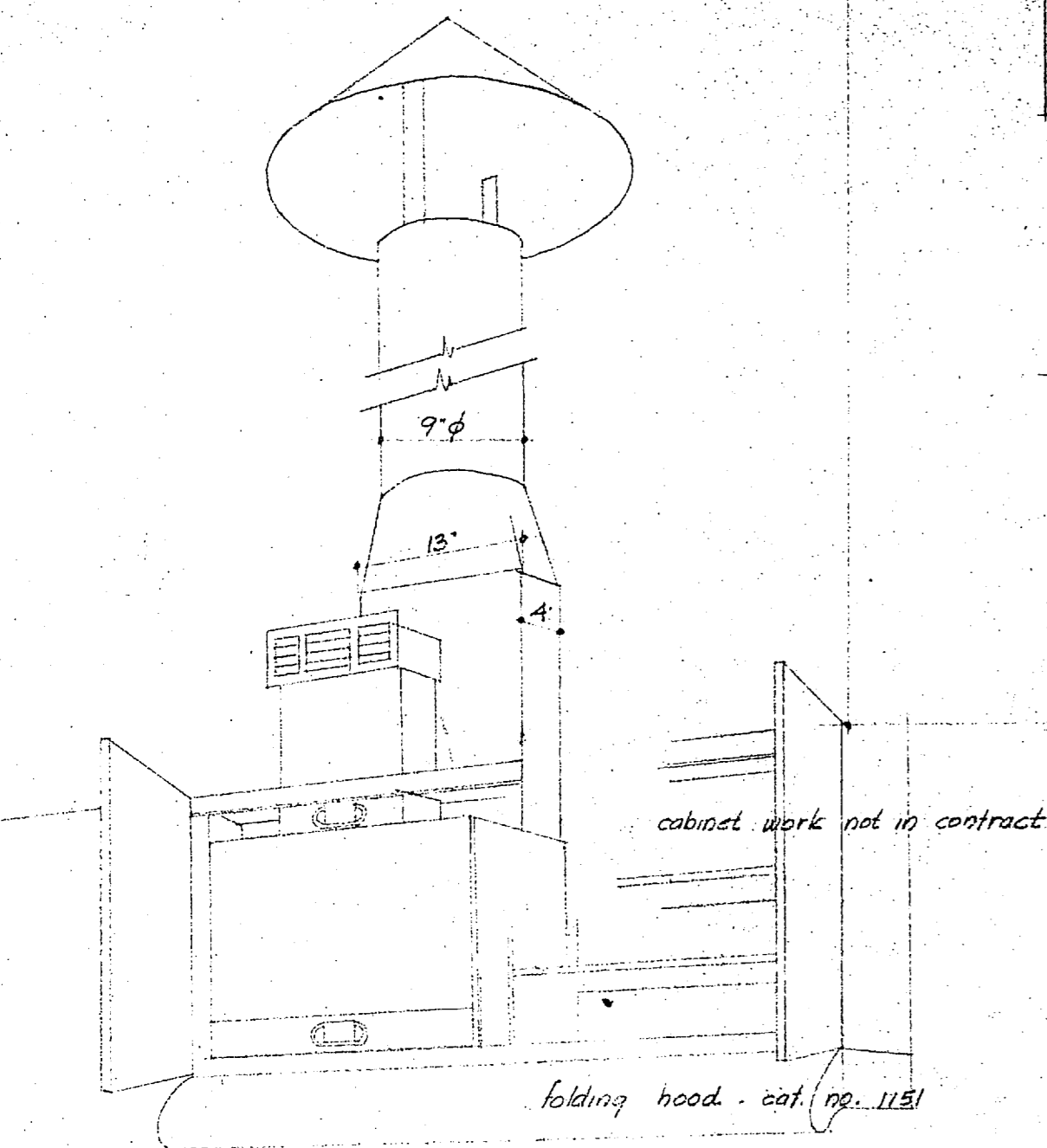
"BILCO" ROOF SCUTTLE 3/4" x 1'-0"
(one required)
standard "s" type no. 5-5



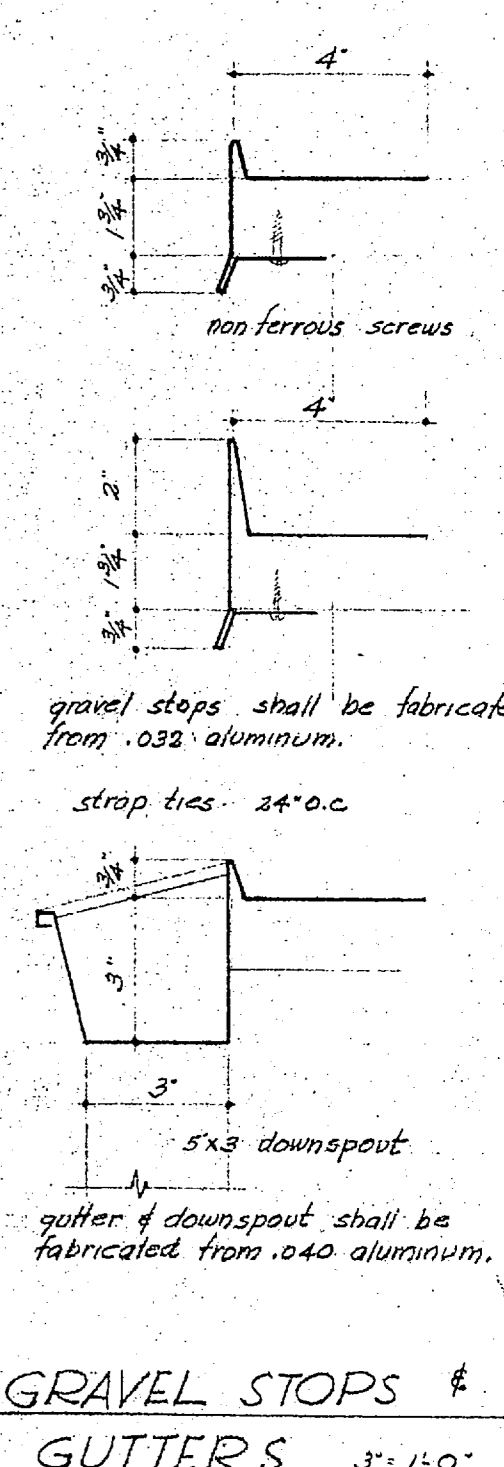
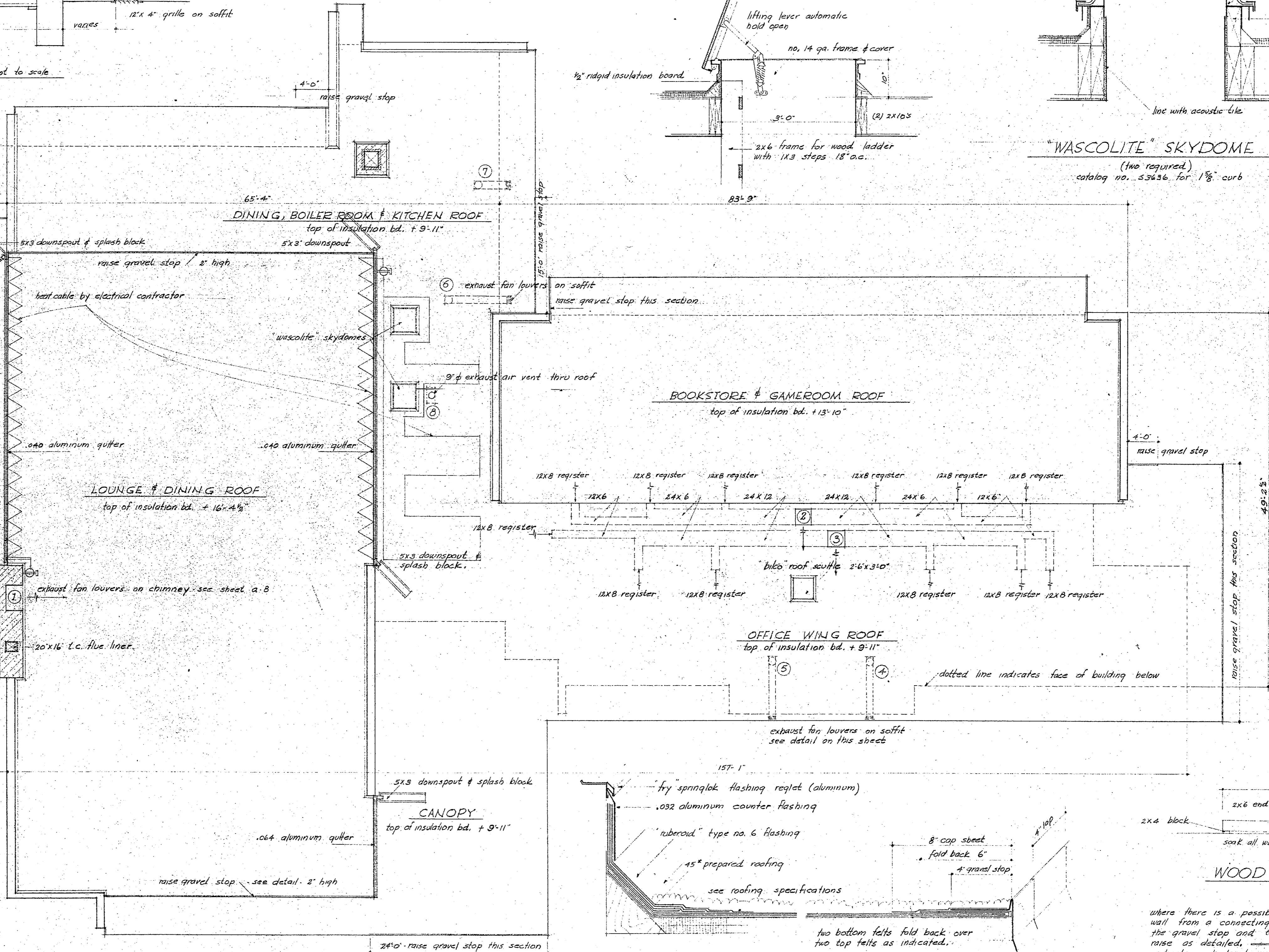
"WASCOLITE" SKYDOME not to scale
(two required)
catalog no. 53636 for 1 7/8" curb



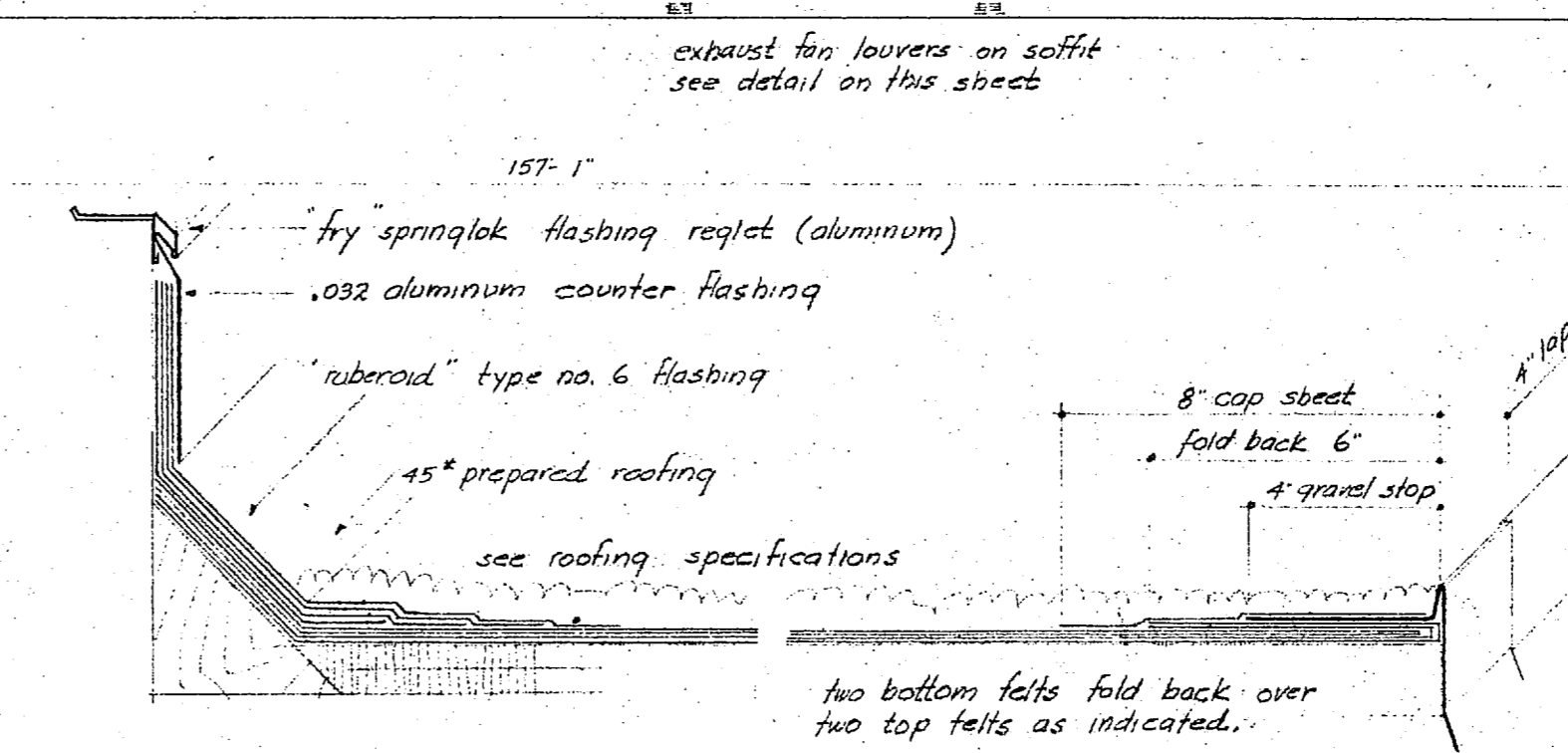
"TRANE" No. 12 FAN HOUSE not to scale



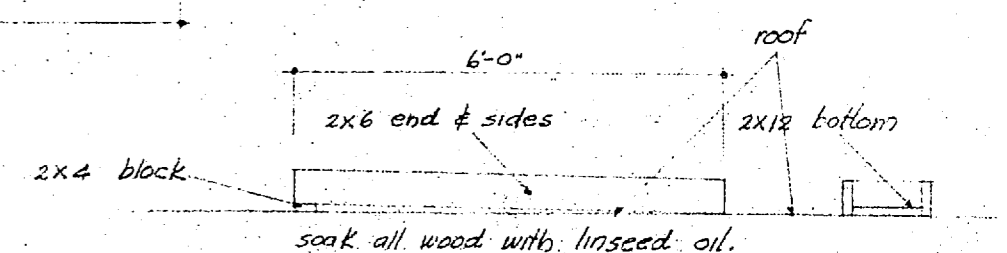
KITCHEN EXHAUST FAN No. 8" not to scale
(one required)
tradewind no. 3501 complete
note: all fans and ductwork by general contractor



GRAVEL STOPS & GUTTERS 3" x 1'-0"



FLASHING DETAILS 3" x 1'-0"

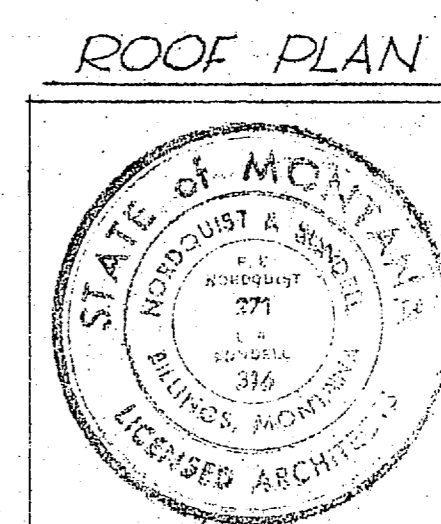


WOOD SPLASH BLOCK 1/2" x 1'-0"

where there is a possibility of water bleeding down a wall from a connecting roof, it is necessary to raise the gravel stop and taper it to the conventional 3/4" raise as detailed. double lines on the roof plan indicate such locations.

FAN SCHEDULE							
no.	catalog no.	phases/volts	rpm	cfm	hp	speed	louvers & housing
1	trane 25-4R	1 60	115	105	42.30	1/2	2 no. 25 shutters
2	trane 12-4R	1 60	115	175	55.90	1/2	2 with panhouse & shutters
3	"	"	"	175	55.90	"	"
4	trade wind 2501	"	"	425	145	2	with fan
5	"	"	"	"	"	"	"
6	"	"	"	"	"	"	"
7	"	120V	"	100	60	1	"
8	"	350V	"	550	185	2	"

contractor may at his option furnish either the 12x8 registers or 14x6". fan no. 1 is a belt driven fan. fan no. 2 & 3 are direct drive fans.



ROOF PLAN 1/4" x 1'-0"

A STUDENT UNION BUILDING
EASTERN MONTANA COLLEGE OF EDUCATION
BILLINGS, MONTANA

NORDQUIST & SUNDELL
ARCHITECTS
BILLINGS, MONTANA

drawn LES
checked BEN
date APR 5, 1954
job no. 1753

A
3